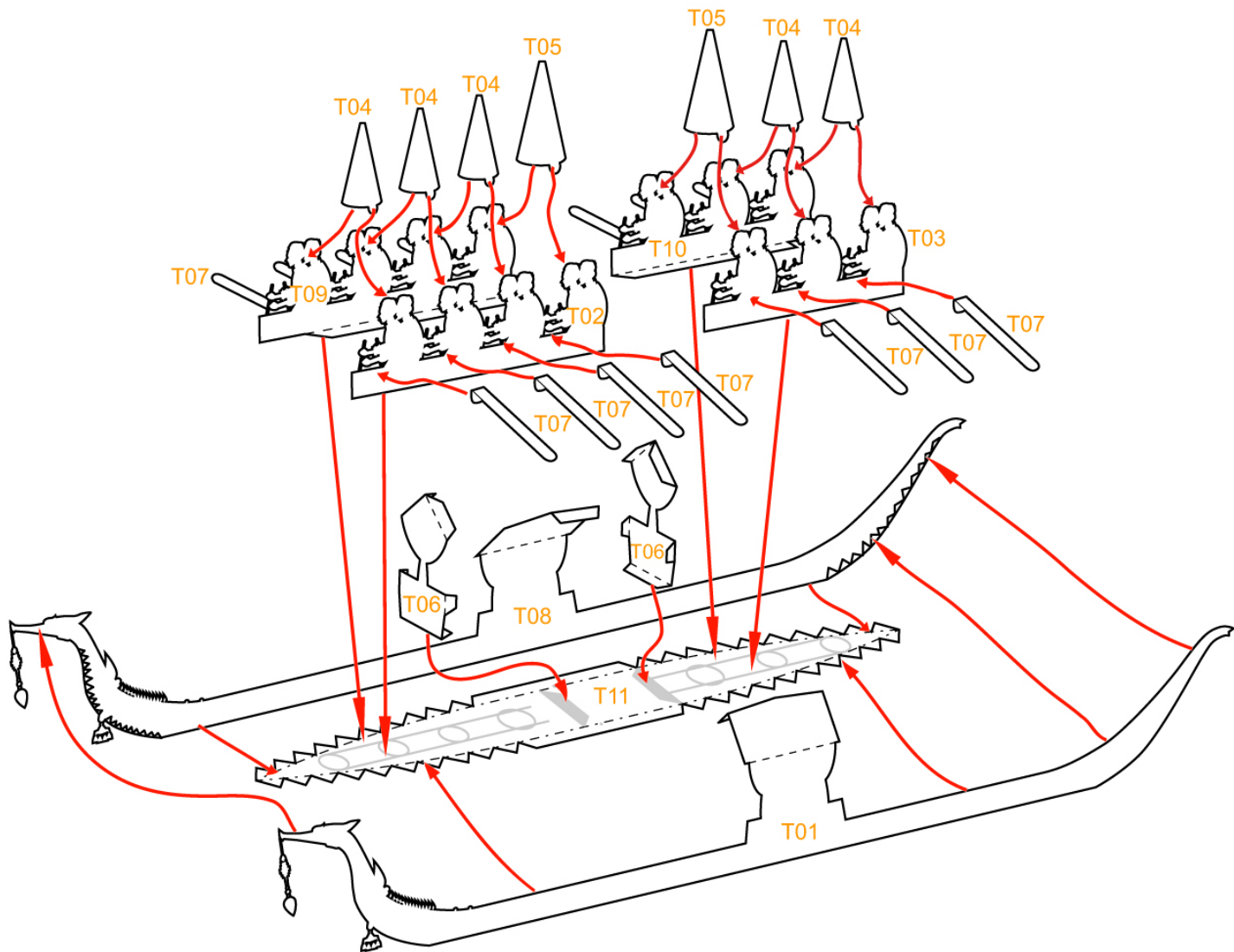
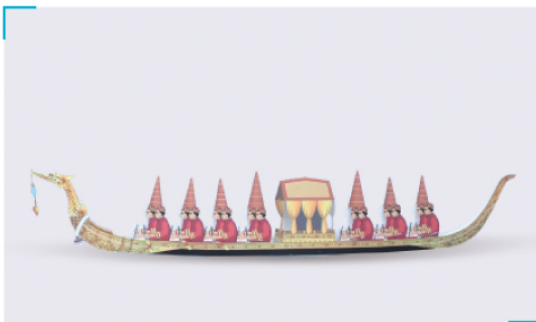



### Assembly Instructions

--- Outward fold

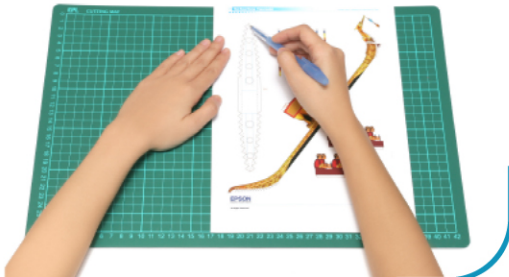
--- Inward fold

✗ Cut away parts



## Instructions

1



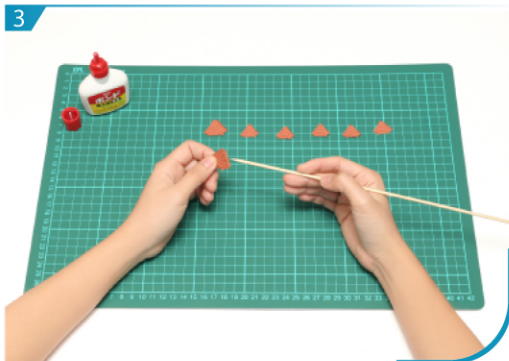
Use a pen whose ink has dried out, or a tracer, to trace lines first.

2



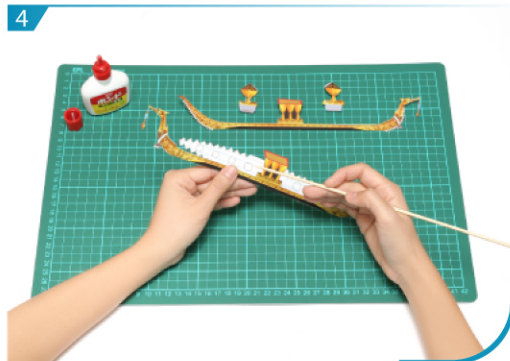
Separate all parts along the lines. Mark their identity on the back to avoid confusion.

3



Fold and glue T04 and T05.

4



Glue T01, T06, T08 and T11 according to the assembly instructions to form the body of the boat.

5



Glue T02, T03 on one side of the boat and T09 and T10 on the other side of the boat.

6



Glue T04, T05 and T07 according to the assembly instructions.

7



The Thai Royal Barge is now done!