
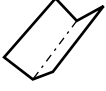
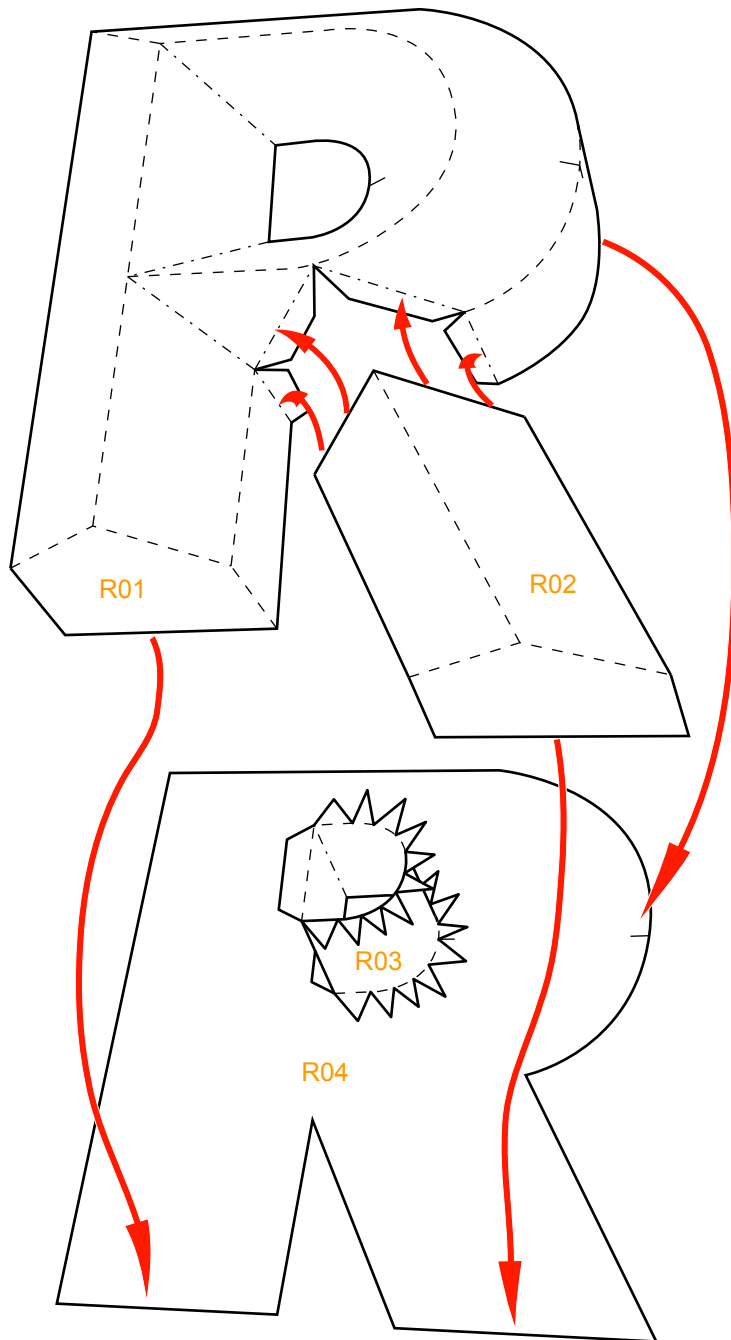


### Assembly Instructions

--- Outward fold 

--- Inward fold 

✗ Cut away parts



Instructions



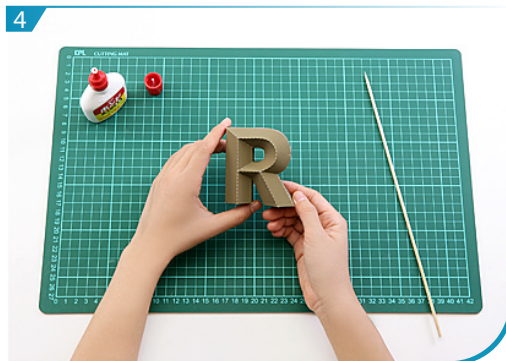
1 Use a pen whose ink has dried out, or a tracer, to trace lines first.



2 Separate all parts along the lines. Mark their identity on the back to avoid confusion.



3 Fold and glue R01 and R02 respectively.



4 Glue R01, R02, R03 and R04 according to the assembly instruction, Letter "R" is now done.