
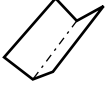


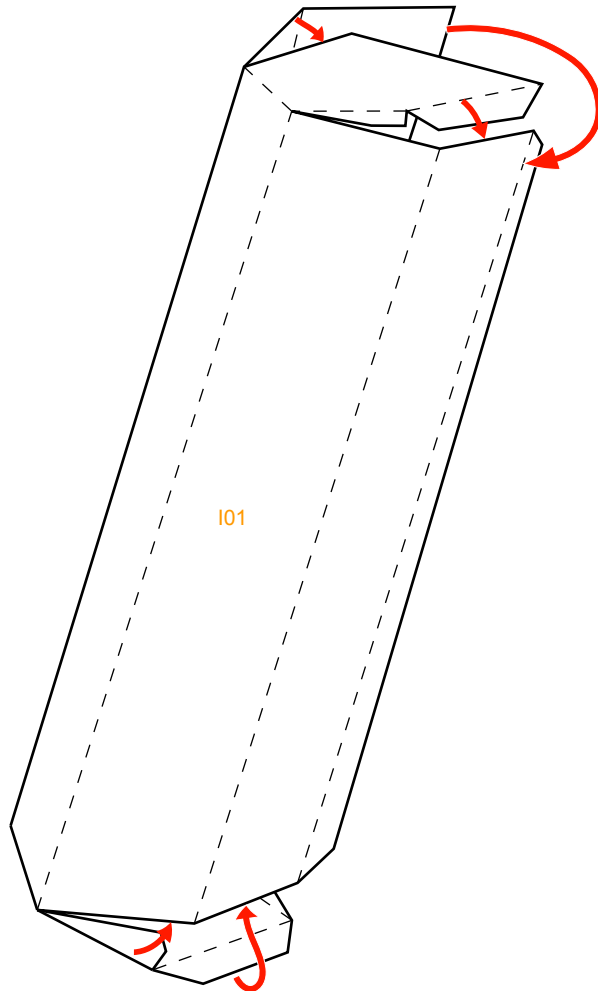


Assembly Instructions

--- Outward fold 

--- Inward fold 

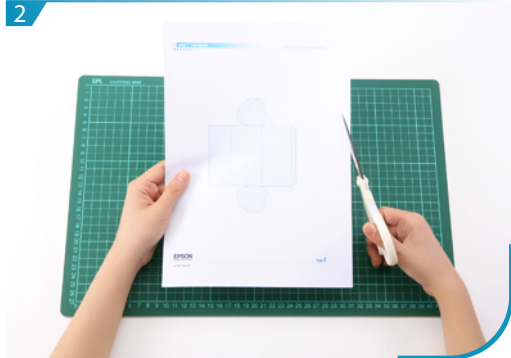
✗ Cut away parts



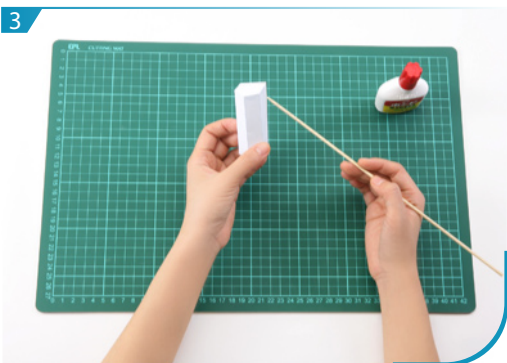
Instructions



Use a pen whose ink has dried out, or a tracer, to trace lines first.



Separate all parts along the lines.



Fold and glue I01 according to the assembly instruction, Letter "I" is now done.