
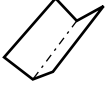


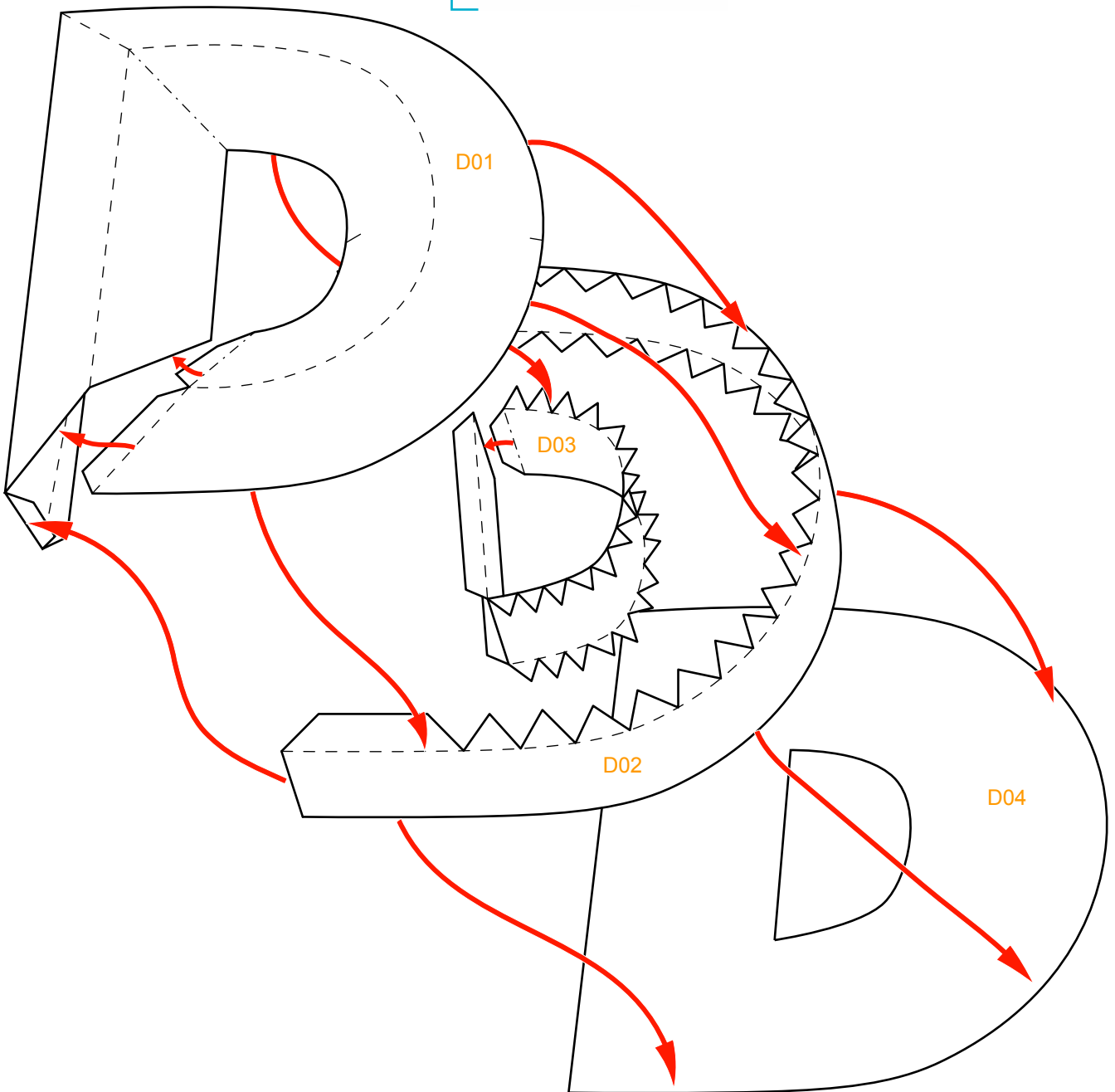


Assembly Instructions

--- Outward fold 

--- Inward fold 

✗ Cut away parts



Instructions



1 Use a pen whose ink has dried out, or a tracer, to trace lines first.



2 Separate all parts along the lines. Mark their identity on the back to avoid confusion.



3 Fold and glue D01.



4 Glue D01 to D04 according to the assembly instruction, Letter "D" is now done.